



# Quick Start Guide

## SP230 Series

2x2 Dual Band PtP/PtMP  
802.11ac Wave 2 Access Point



**Revision: 3.3.0.4**

# Package Contents



One access point



One clamp



Two waterproof cable glands



One ground wire



One mounting bracket  
+ Four screws



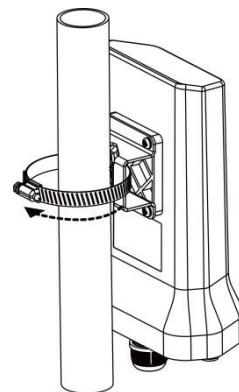
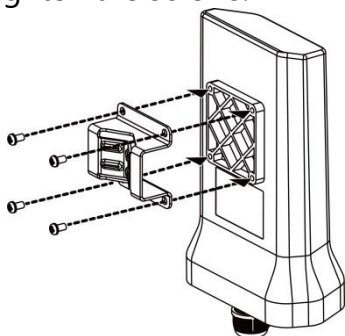
**Note:** SP230 and SP230-S5 both provides two waterproof cable glands.

# Installation Requirements

TERMS OF USE: All Ethernet cabling runs must use CAT5e, 24 AWG (or above) Shielded Twisted Pair (STP) cabling. In addition, please cut the cable into a proper length, strip the cables on both ends, and crimp the wires into RJ45 connectors. It is the professional installer’s responsibility to follow local country regulations, including operation within legal frequency channels, output power, indoor cabling requirements, and Dynamic Frequency Selection (DFS) requirements.

# Mounting the Access Point on the Pole

- ① Attach the mounting bracket to the device using four screws (included in the packaging). Securely tighten the screws.
- ② Attach the clamp to encircle pole and the mounting bracket. Securely tighten the clamp.

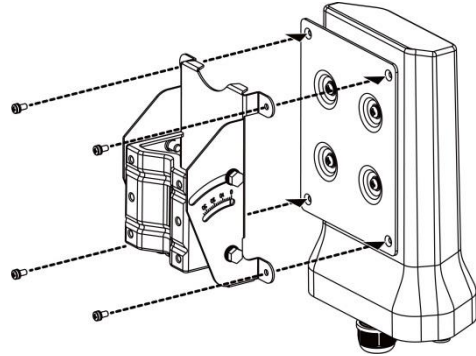
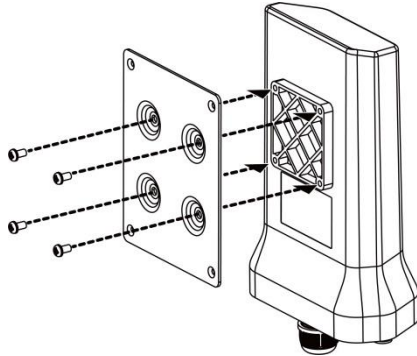


**Note:** Please avoid having obstacles or metal plates surround the access point.

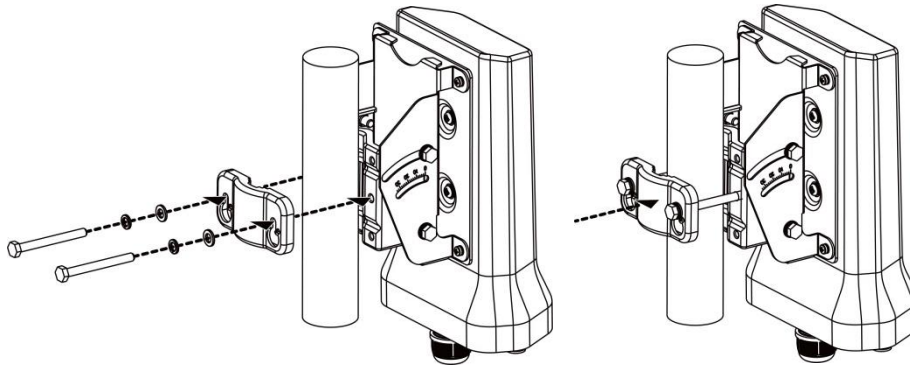
## Two-dimensional Mounting Kit (Optional accessory\_SP-MKM5)

### Pole-Mount

- ① Attach the intermediate steel plate to the device using four M5 screws (included in the packaging). Securely tighten the screws.
- ② Attach the two-dimensional mounting bracket to the intermediate steel plate using four M4 screws (included in the packaging). Securely tighten the screws.



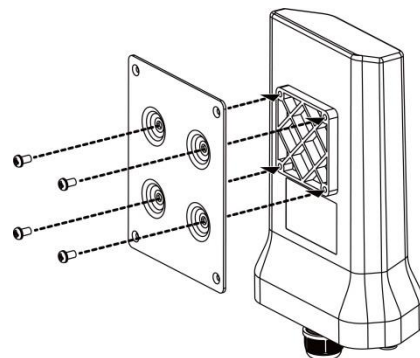
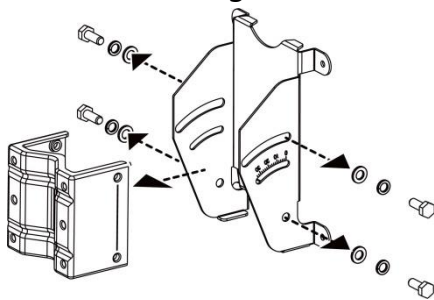
- ③ Attach the pole-supported bracket and align the area where the flat head screws will be attached. Insert two flat head screws into two-dimensional mounting bracket, and tighten them approximately.



**Note:** The pole-supported bracket can accommodate up to 6 cm (2.36") in diameter.

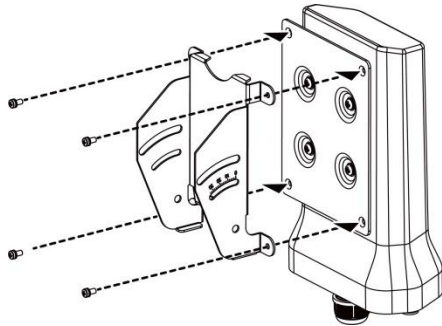
### Wall-Mount

- ① Separate it into two parts: half-mounting bracket and M-type bracket and unscrew four hex head machine bolts on the two-dimensional mounting bracket.
- ② Attach the intermediate steel plate to the device using four M5 screws (included in the packaging). Securely tighten the screws.

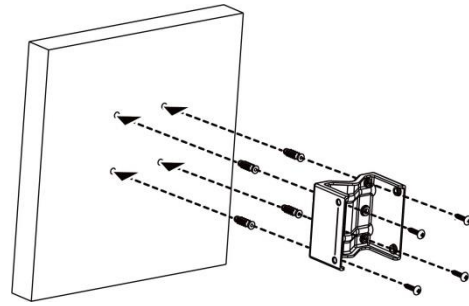


- ③ Attach half-mounting bracket to the device with intermediate steel plate using four M4
- ④ Attach M-type bracket to the device onto the wall, using four M5 screws + screw anchors

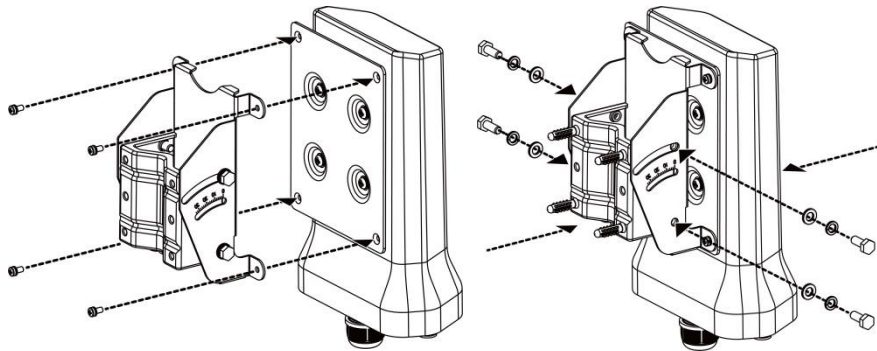
screws (included in the packaging). Securely tighten the screws.



(included in the packaging). Securely tighten the screws.

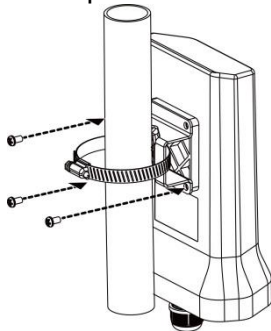


⑤ Attach half-mounting bracket to the M-type bracket, then screw four hex head machine bolts. Securely tighten the screws.

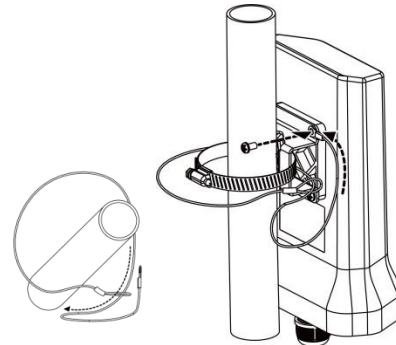


### Anti-theft Steel Rope (Optional accessory\_SP-CBM5)

① Insert three anti-theft screws (included in the packaging) to the device through the mounting bracket. Securely tighten these three screws. Attach the clamp to encircle pole and the mounting bracket. Securely tighten the clamp.



② Firstly, encircle the Anti-theft steel rope as following left diagram, then encircle on the pole. Secondly, insert the last anti-theft screw (included in the packaging) to the device with anti-theft steel rope. Securely tighten the screw.

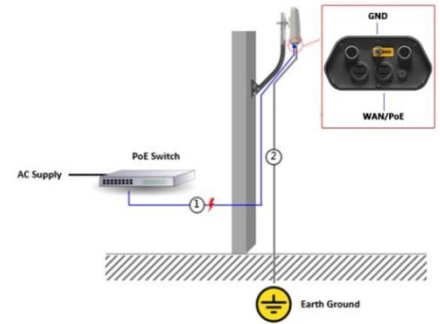


## Grounding Connection & Protect from Lightning

1. Make your device GND port connect to ground wire.
2. The ground wire connects to the earth. In addition, the grounding wire meets to 6-AWG copper grounding wire.



**Note:** Be sure that grounding is available and that it must comply with local and national electrical codes. For additional lightning protection, use lightning rods and lightning arrestors.



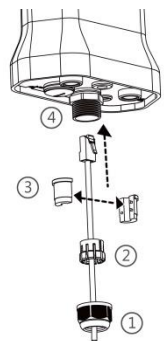
## Safety Notice

1. Do not install the device close to any electrical grounding device or lightning protection system. Place the device's own grounding and lightning protection system apart from any electrical grounding device and lightning protection system as far as possible.
2. Protect components from electrostatic discharge: Please wear an ESD wrist strap or handle the power adapter by its edge and do not touch any component or printed circuit boards, especially for module device.
3. Make sure to keep the temperature and humidity of the installation location at an optimal level.
4. An excellent grounding system guarantees the stable operation of device, as well as to protect device from lightning, interference and electrostatic discharges.
5. The device may be damaged by lightning. We recommend that you install additional lightning protection devices if necessary, considering the conditions in your area.
6. Supply stable power to the device. Unstable power may cause the device to malfunction. The device supports PoE power supply and is recommended if the device is installed near grid lines within less than 100 meters radius.

## Installing a Waterproof Cable Gland for Ethernet Port

### (Optional accessory\_SP-WP-CM20)


- ① Dismantle all the components of waterproof cable gland, and plug the cable through it. Thread and assemble one by one: (1) sealing nut (2) plastic ring (3) rubber (4) locking nut. Securely tighten all the components.




# Powering the Access Point

Connect the PoE cable into the WAN/PoE IN port of the device.




-  **Note:** Please wait for 5-10 seconds while powering on.

---

-  **Note:** For PoE Out applications, the LAN port provides DC 48V, Max. 208mA, and up to 10W power supply. The positive side of the 48V is connected to pin 4 and 5, the negative side is connected to pin 7 and 8.

---


-  **Warning:** Do **NOT** attempt to connect any **non-PoE** devices to LAN port and make sure the input power should comply with PoE Out standard.

## LED Indicator


Color	Behavior	Description
Red	<b>Steady</b>	Initializing
	<b>Flashing</b>	Power / system on
Green	<b>Steady</b>	Internet connection detected
	<b>Flashing</b>	No internet connection detected


## Access Point Configuration

The SP230 default AP mode is TAP mode, which obtains IP addresses from DHCP Option 43 protocol. The SP230-S5 is FAP mode.

-  **Note:** In TAP mode, the AP must be able to go with wireless LAN controllers (WLCs) for bulk configuration and performing other commands of access points. Please refer to WLC QSG for settings first, then go back to finish the AP configuration.  
[https://www.zcom.com.tw/index/downloads?keyword=&meterial\\_type=49](https://www.zcom.com.tw/index/downloads?keyword=&meterial_type=49)

Step 1. Power on the AP. As the status of LED indicator from flashing change to steady green, the connection is successful.

-  **Note:** Please make sure DHCP server is enabled on the network once accomplished WLC settings. The access point must receive its IP address through DHCP server.

-  **Note:** Switching from DHCP to assign a static IP address or DNS and L2 discovery mode to the access point, please refer to the user manual for more information.  
[https://www.zcom.com.tw/index/downloads?keyword=&meterial\\_type=25](https://www.zcom.com.tw/index/downloads?keyword=&meterial_type=25)

If the access point cannot connect to WLC by DHCP broadcast, please refer to the following optional settings.

**Optional: Set up a static IP address**



**Note:** The following procedure assumes that Windows 10 is the operating system. Procedures for other operating systems are similar.

- Step 1. On your computer, configure your network adapter from the “Local Area Connection” settings as follows:
- Start→Control Panel→Network & Internet→Change Adapter Options→Ethernet
- Step 2. Edit the TCP/IPv4 address setting as follows:
- Properties→Internet Protocol Version 4(TCP/IPv4)
- Step 3. Select “Use the following IP address” and make the following entries:
- IP address: 192.168.1.168 (or any available address in the 192.168.1.x network, except 192.168.1.1)
  - Subnet mask: 255.255.255.0
- Leave the “Use the following DNS server address” field empty.
- Step 4. Click “OK” to save your changes.

### Login into the access point

- Step 5. Launch a Web browser; type default URL <https://192.168.1.1> to connect to the access point. When a security alert dialog box appears, click OK/Yes to proceed.
- Step 6. When login page appears, enter the following: Username: **root**/Password: **password**
- Step 7. Click login.

### Customizing the Wireless Settings

On the Web interface menu, Select Status→General in the menu bar. Check your switchmod item to select “Connect with via IP”, and setup your WLC IP address on “Wireless Switch Address 1”.



**Note:** IP address of WLC needs to be assigned (ex. 192.168.1.228) while on operation.



**Note:** If you need a standalone access point, please change to FAP mode.

## FAP Mode

The default AP mode is TAP mode, before FAP configurations please change AP mode.

- Step 1. Currently in TAP Mode: On the Web interface menu, click System→AP mode.
- Step 2. Select Fat AP from the drop-down list.
- Step 3. Click save & apply to take effect.



**Note:** For FAP mode, please refer to the user manual for more information.  
[https://www.zcom.com.tw/index/downloads?keyword=&meterial\\_type=25](https://www.zcom.com.tw/index/downloads?keyword=&meterial_type=25)

## Bridge Mode

Bridge mode allows two or more wireless access points to communicate with each for the purpose of joining multiple LANs. The default AP mode is TAP mode, before bridge mode configurations please change to FAP mode.



**Note:** For bridge mode settings, please refer to the user manual for more information.  
[https://www.zcom.com.tw/index/downloads?keyword=&meterial\\_type=25](https://www.zcom.com.tw/index/downloads?keyword=&meterial_type=25)

## Technical Specifications

Physical			
<b>Dimensions (L x W x H)</b>	151 x 75.5 x 235 mm (5.94 x 2.97 x 9.25 in)	<b>WAN/PoE In Port</b>	One 10/100/1000 Mbps port
<b>Weight</b>	1000 grams (2.2 lbs.)	<b>LAN Port</b>	One 10/100/1000 Mbps port
<b>Antenna</b>	<b>SP230</b>	2.4GHz: Embedded 5 dBi antennas 5GHz: Embedded 5 dBi antennas	
	<b>SP230-S5</b>	2.4GHz: Embedded 5 dBi omni antenna 5GHz: Embedded 11 dBi directional antennas	
<b>Power Supply</b>	DC 48V, 0.5A PoE		
<b>LAN/PoE Out</b>	48V/10 Watts (Max.), Passive PoE (Pairs 4, 5+; 7, 8 Return)		
<b>Power Consumption</b>	Max. 12 Watts		

Environmental		
	Temperature	Humidity
<b>Operating</b>	-40°C to 70°C (-40°F to 158°F)	10% to 90% (Non-condensing)
<b>Storage</b>	-40°C to 80°C (-40°F to 168°F)	10% to 90% (Non-condensing)



# Compliance

## FCC CAUTION

Changes or modifications not expressly approved by the party responsible for compliance could void the user's authority to operate this equipment.

This device complies with Part 15 of the FCC Rules. Operation is subject to the following two conditions.

1. This device may not cause harmful interference, and
2. This device must accept any interference received, including interference that may cause undesired operation.

This equipment has been tested and found to comply with the limits for a Class A digital device, pursuant to part 15 of the FCC Rules. These limits are designed to provide reasonable protection against harmful interference when the equipment is operated in a commercial environment.

This equipment generates, uses, and can radiate radio frequency energy and, if not installed and used in accordance with the instruction manual, may cause harmful interference to radio communications. Operation of this equipment in a residential area is likely to cause harmful interference in which case the user will be required to correct the interference at his own expense.

This radio transmitter has been approved by FCC.



**Note:** Operations in the 5.15-5.25GHz band are restricted to indoor usage only.

---

You are cautioned that changes or modifications not expressly approved by the part responsible for compliance could void the user's authority to operate the equipment.

## Radiation Exposure Statement

- This equipment complies with radiation exposure limits set forth for an uncontrolled environment.
- This equipment should be installed and operated with minimum distance 26 cm between the radiator and your body.
- This transmitter must not be co-located or operating in conjunction with any other antenna or transmitter.

## CE Marking

CE marking on this product represents the product is in compliance with all directives that are applicable to it.



Country List



AT	BE	BG	CY	CZ	DE	DK	EE	EL	ES	FI	FR	HR	HU
IE	IT	LV	LT	LU	MT	NL	PL	PT	RO	SE	SI	SK	

BFWA (Broadband Fixed Wireless Access) members noted in blue



**Note:** This device meets Max. TX power limit per ETSI regulations.

The following apply to products that operate in the 5 GHz frequency range:



**Note:** This device is restricted to indoor use only when operating in the 5150 - 5350 MHz frequency range within all member states.



**Note:** Operation in the 5.8 GHz frequency band is prohibited in BFWA member states. Other countries listed may use the 5.8 GHz frequency band.

**WEEE Compliance Statement**



European Directive 2012/19/EU requires that the equipment bearing this symbol on the product and/ or its packaging must not be disposed of with unsorted municipal waste. The symbol indicates that this product should be disposed of separately from regular household waste streams. It is your responsibility to dispose of this and other electric and electronic equipment via designated collection facilities appointed by the government or local authorities. Correct disposal and recycling will help prevent potential negative consequences to the environment and human health. For more detailed information about the disposal of your old equipment, please contact your local authorities, waste disposal service, or the shop where you purchased the product.

**EU Declaration of Conformity**

Hereby, Z-COM, Inc. declares that the radio devices are in compliance with Directive 2014/53/EU. The full text of the EU declaration of conformity is available at the following internet address: [https://www.zcom.com.tw/index/downloads?keyword=&meterial\\_type=56](https://www.zcom.com.tw/index/downloads?keyword=&meterial_type=56)

**NCC Statement**

The regulations from NCC:





For low-power radio frequency devices that have passed the type certification, the company or user may not change the frequency, power capability, or change the original characteristics without permission.

Low-power radio frequency devices must not affect flight safety and interfere with normal communications; when there is interference, they should immediately improve until there is no interference before continuing. Low-power radio communications and low-power radio frequency devices must stand for legal communications or use radio waves to radiate medical interference from electrical equipment.

- To reduce the influence of electromagnetic waves, please use it properly.
- When using and installing this product, avoid affecting the operation of the radar system.

- When using this product, a minimum distance of 26cm or more from the human body is recommended.

## Optional Accessories

PN	Item	Picture	SP230	SP230-S5
SP-CBM5	Anti-theft steel rope + allen wrench + four screws		V	V
SP-MKM5	Two-dimensional mounting kit <ul style="list-style-type: none"> <li>• Two-dimensional mounting bracket</li> <li>• Pole-supported bracket</li> <li>• Intermediate steel plate</li> <li>• Two flat head screws</li> <li>• Four self-tapping screws</li> <li>• Four screw anchors</li> <li>• Four machine screws (M4)</li> <li>• Four machine screws (M5)</li> </ul>		V	V
SP-WP-CM20	Waterproof cable gland		V	V
SP-48063-XX	48V PoE Injector + power cord		V	V



**Note:** When ordering power adaptors, you must specify the destination region by indicating -US, -EU instead of -XX.

## Contact Information

All information may be changed by Z-COM at any time without prior notice or explanation to the user. For further information please refer to our website: [www.zcom.com.tw](http://www.zcom.com.tw)

